



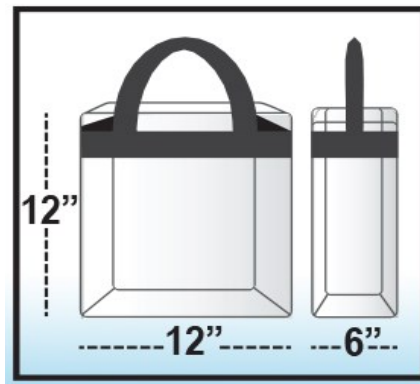
LET'S BE CLEAR!

**BAG REQUIREMENT FOR ALL SAISD CENTRAL SITE ATHLETIC FACILITIES :
ALAMO STADIUM, ALAMO CONVOCATION CENTER, SPORTS COMPLEX (ALL
BASEBALL, SOFTBALL AND SOCCER/FB FIELDS) , LANIER ALUMNI CENTER, MISSION
CONCEPCION GYM & the NATATORIUM**

♦ APPROVED BAGS *ALL BAGS ARE SUBJECT TO INSPECTION PRIOR TO ENTRY REGARDLESS OF SIZE OR TYPE.

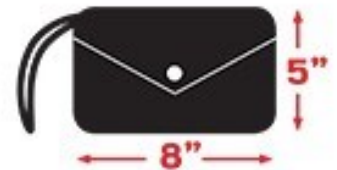
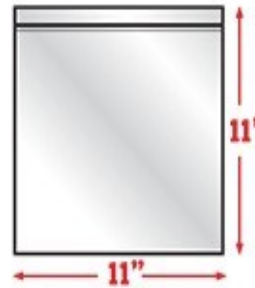
Large Bags:

- Clear plastic, vinyl, or PVC
- Not to exceed 12" x 6" x 12"
- No more than one logo not obstructing contents



Small Bags:

- Small Clutch Bags (with or without strap)
- Small Clutch Bags or Purses do not have to be clear, but cannot exceed 5" x 8" x 1"



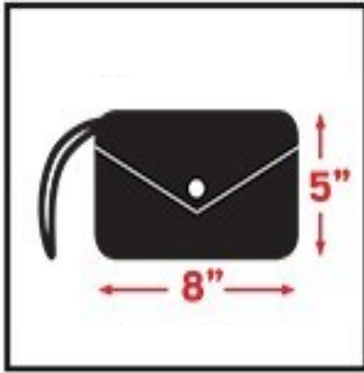
PROHIBITED BAGS

- Backpacks
- Duffle bags or large totes
- Purses larger than 5"x8"x1"
- Cases (camera, binocular, etc.)
- Mesh or straw bags
- Fanny packs
- Printed pattern or tinted plastic
- Bags or totes
- Folding chair bags
- Reusable grocery totes

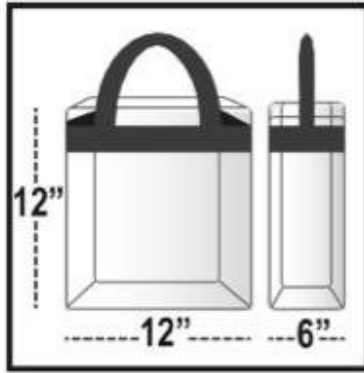
EXCEPTIONS

- Bags for medically necessary items
- News media equipment
- Official team and other field photographers
- Booster clubs selling items with approval
- Diaper Bags with a baby

ALLOWED



Bags smaller than
5" x 8" x 1"



Clear Bag smaller than
12"x12"x6"



1-Gallon Plastic
Freezer Bag



Medical Bags



Diaper Bags



Seat Cushion no pockets

BAGS NOT ALLOWED



Backpacks



Camera Case



Purses larger than 5" x 8" x 1"



Over-Sized Tote Bags



Binoculars Case



Printed Pattern
Plastic Bags



Large Folding Chairs